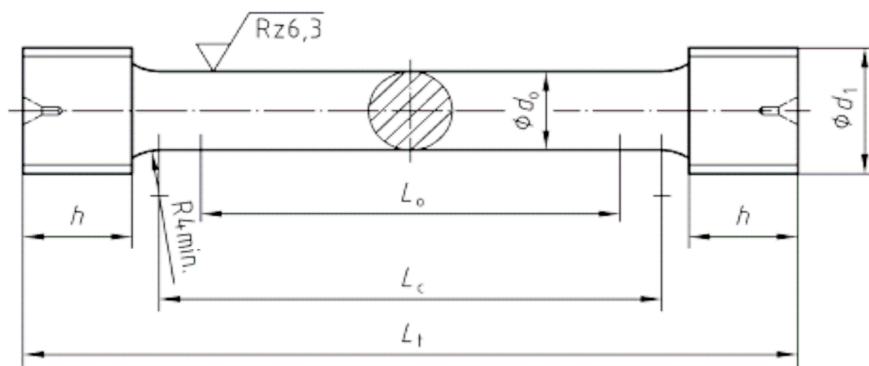
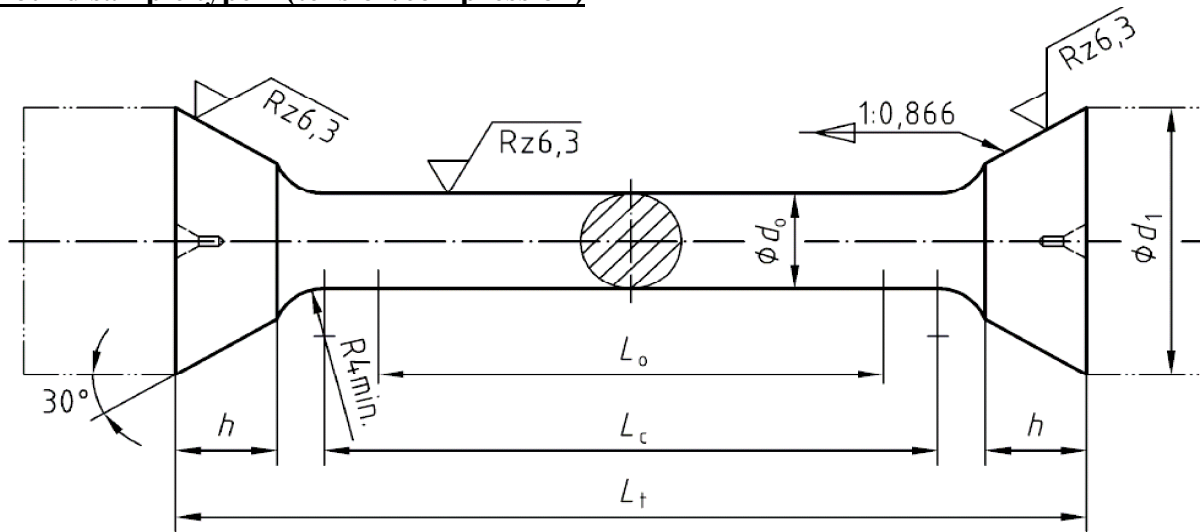


**Round sample type 1 (tension)**



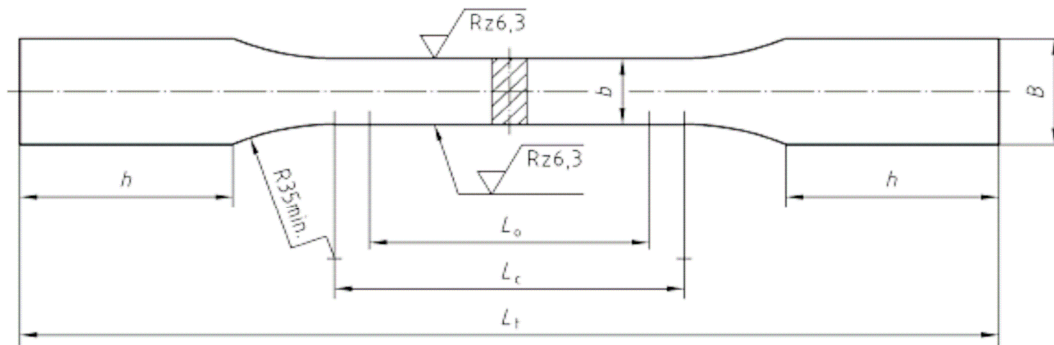
$d_0$	$L_0$	$d_1$ (thread)	$h$ min.	$L_C$ min.	$L_t$ min.
4	20	M6	6	24	40
5	25	M8	7	30	50
6	30	M10	8	36	60
8	40	M12	10	48	75
10	50	M16	12	60	90

**Round sample type 2 (tension/compression)**



$d_0$	$L_0$	$d_1$	$h \approx$	$L_c$ min.	$L_t$
6	30	20	6	67	90
8	40	24	8	67	90
10	50	28	10	70.5	105
12	60	32	12	70.5	105

**Flat samples (tension)**



<b><math>a</math> (thick)</b>	<b><math>b</math></b>	<b><math>L_0</math></b>	<b><math>B</math> min.</b>	<b><math>h</math> min.</b>	<b><math>L_c</math> min.</b>	<b><math>L_t</math> min.</b>
3	8	30	12	25	38	115
4	10	35	15	30	45	140
5	16	50	22	40	65	175
6	20	60	27	50	80	210